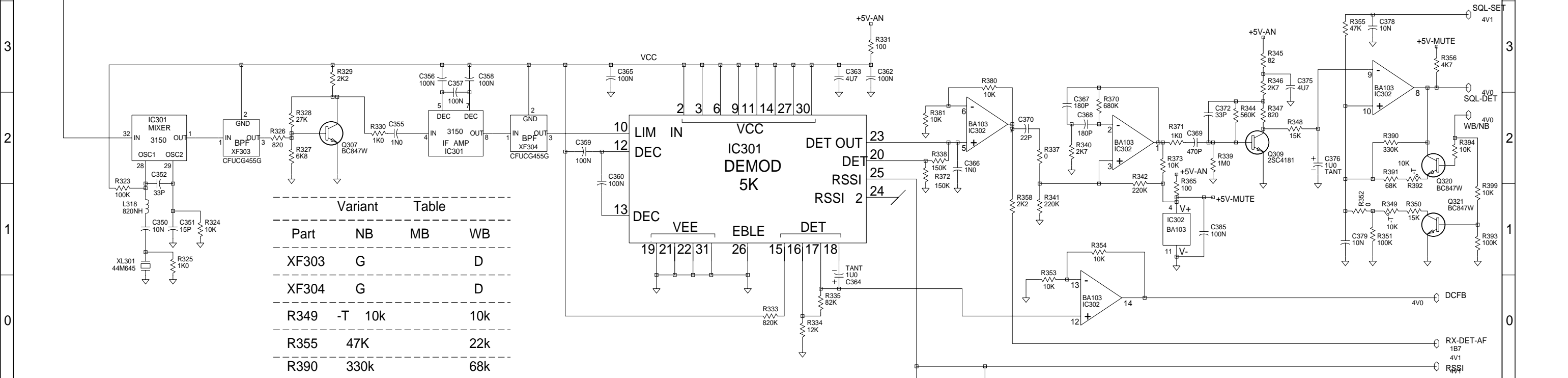
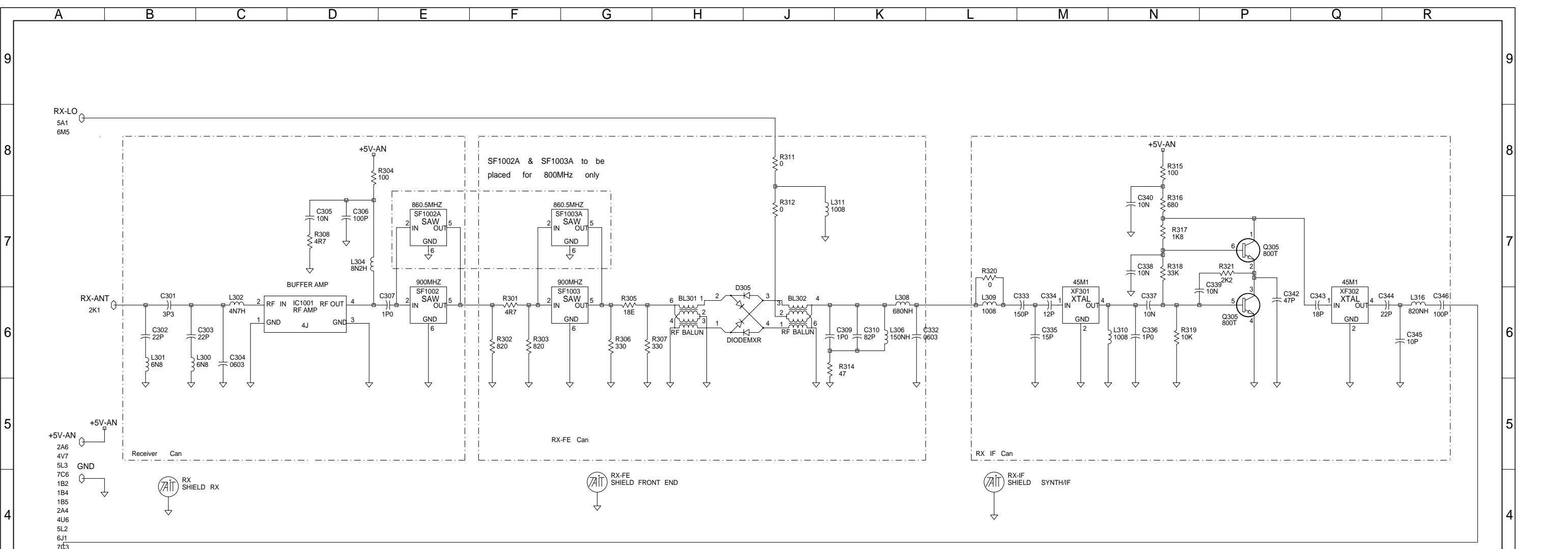


© TAIT ELECTRONICS
 ORCA TOP:800/900MHZ
 POWER AMPLIFIER
 IPN: 220-01610-04 ISSUE: C 2.SC. 2
 PROJECT: ORCA DESIGNER: BRD FILE NAME: 161004c FILE DATE: 21-Mar-03 NO.SHEETS: 7

| | | | | | | | |
|---------|---------------|---------------|-------|------|------|------|----------|
| 03B | VALUE CHANGES | CCO. 1610-005 | BRD | SP | CK | DW | 02/11/99 |
| REV/ISS | AMENDMENTS | | DRAWN | CHKD | D.O. | APVD | DATE |



Variant Table

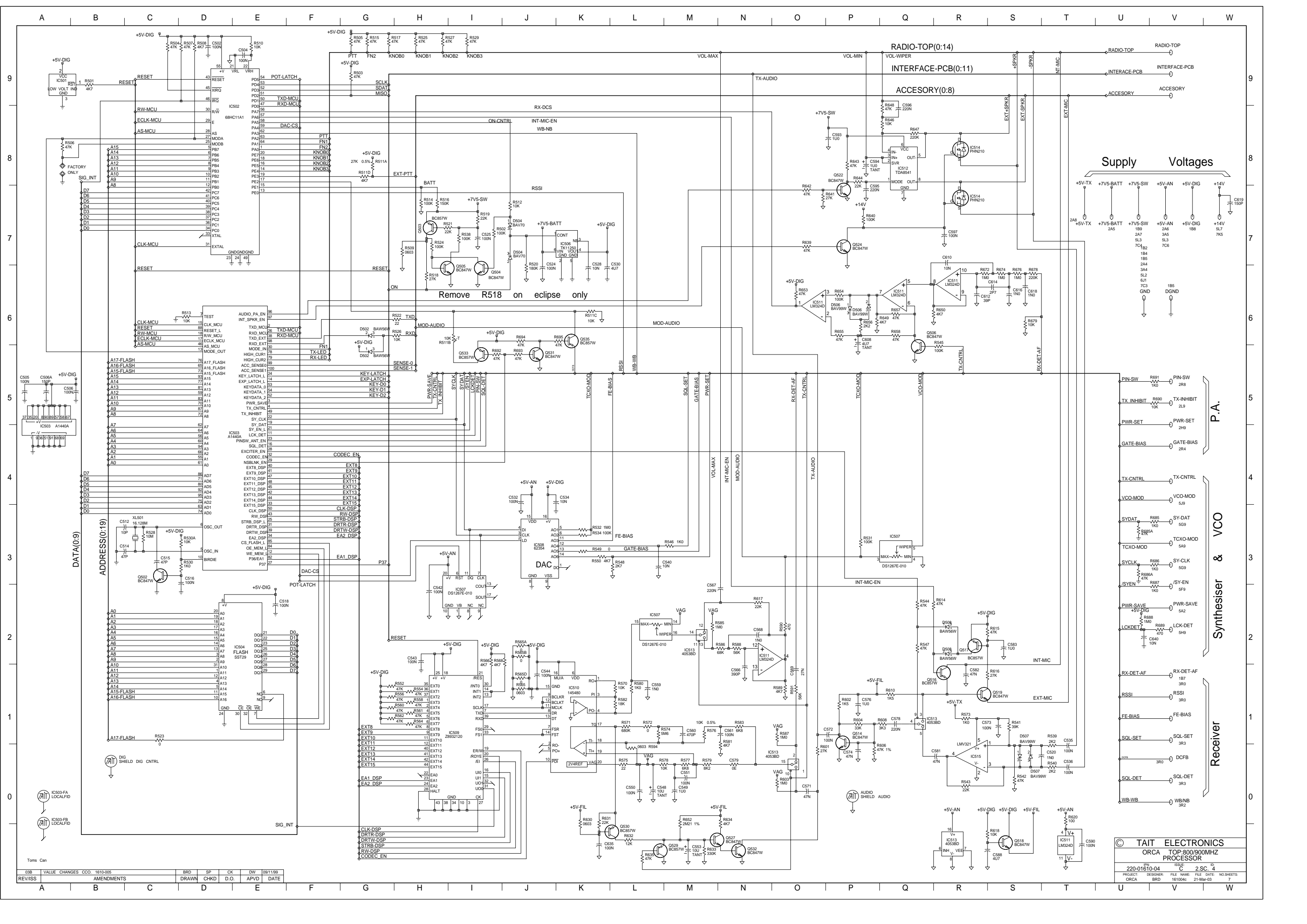
| Part | NB | MB | WB |
|-------|--------|----|------|
| XF303 | G | | D |
| XF304 | G | | D |
| R349 | -T 10k | | 10k |
| R355 | 47K | | 22k |
| R390 | 330k | | 68k |
| C369 | 470p | | 330P |

| | | | | | | |
|---------|-----------------------------|-------|------|------|------|----------|
| 03B | VALUE CHANGES CCO. 1610-005 | BRD | SP | CK | DW | 02/11/99 |
| REV/ISS | AMENDMENTS | DRAWN | CHKD | D.O. | APVD | DATE |

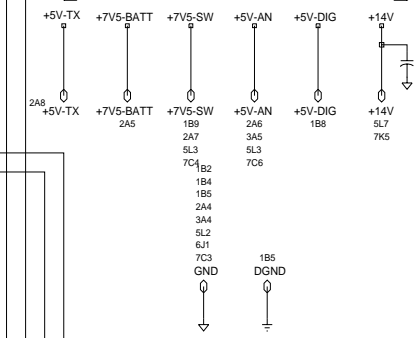
TAIT ELECTRONICS
ORCA TOP:800/900MHZ RECEIVER

IPN: 220-01610-04 ISSUE: C ID: 2.SC. 3

PROJECT: ORCA DESIGNER: BRD FILE NAME: 161004c FILE DATE: 21-Mar-03 NO.SHEETS: 7



Supply Voltages



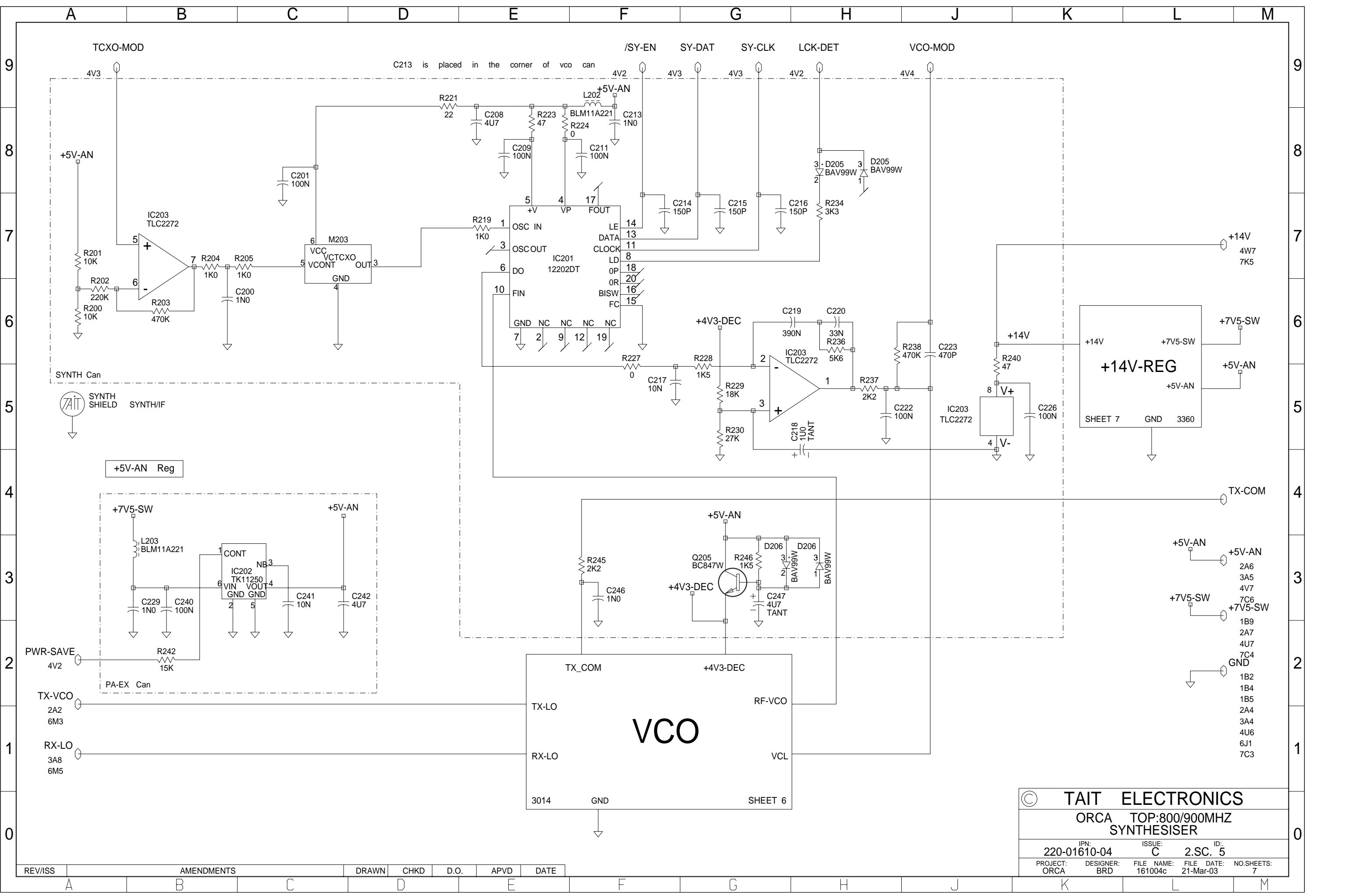
P.A.

Synthesiser & VCO

Receiver

© TAIT ELECTRONICS
 ORCA TOP 800/900MHZ PROCESSOR
 IPN: 220-01610-04
 PROJECT: ORCA
 DESIGNER: 161004G
 FILE NAME: 21-Mar-03
 SHEET: 7

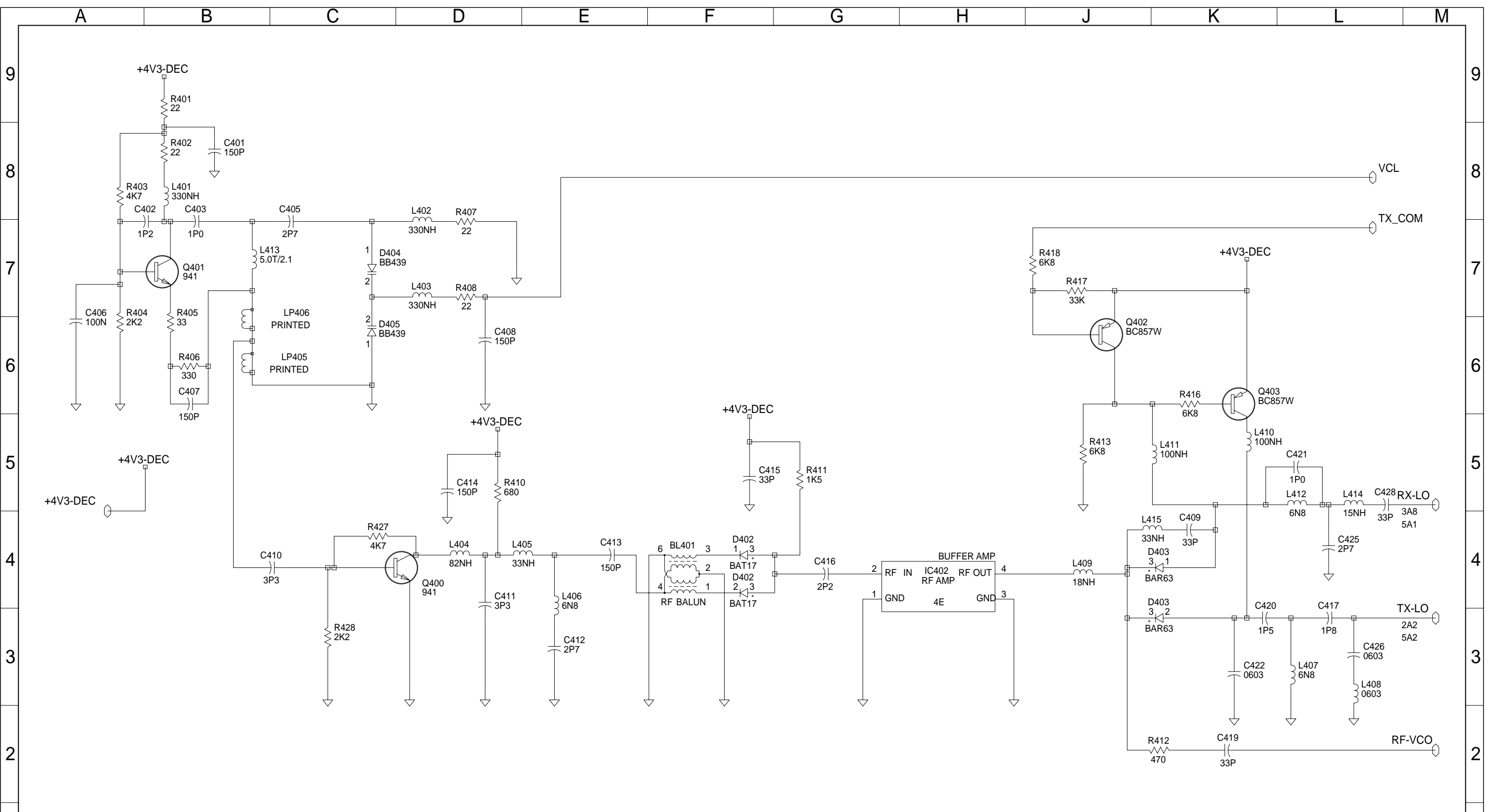
| REV/ISS | VALUE | CHANGES | CCO | 1610-005 | BRD | SP | CK | DW | 09/11/99 |
|---------|-------|------------|-----|----------|-------|------|------|------|----------|
| | | AMENDMENTS | | | DRAWN | CHKD | D.O. | APVD | DATE |



C213 is placed in the corner of vco can

© TAIT ELECTRONICS
 ORCA TOP:800/900MHZ SYNTHESIZER
 IPN: 220-01610-04 ISSUE: C ID: 2.S.C. 5
 PROJECT: ORCA DESIGNER: BRD FILE NAME: 161004c FILE DATE: 21-Mar-03 NO.SHEETS: 7

| REV/ISS | AMENDMENTS | DRAWN | CHKD | D.O. | APVD | DATE |
|---------|------------|-------|------|------|------|------|
| | | | | | | |



© TAIT ELECTRONICS
 ORCA TOP:800/900MHZ
 VCO

| | | |
|-------------------------|------------------|-----------------------|
| IPN: 220-01610-04 | ISSUE: C | ID: 2.SC. 6 |
| PROJECT: ORCA | DESIGNER: BRD | FILE NAME: 161004c |
| FILE DATE: 21-Mar-03 | NO.SHEETS: 7 | |

| | | | | | | |
|---------|-----------------------------|-------|------|------|------|----------|
| 03B | VALUE CHANGES CCO. 1610-005 | BRD | SP | CK | DW | 02/11/99 |
| REV/ISS | AMENDMENTS | DRAWN | CHKD | D.O. | APVD | DATE |

